

# 1995 Boys' Sweet Sixteen Action

*quarterfinals*

**SCOTT COUNTY**

**VS.**

**BRECKINRIDGE  
COUNTY**

**March 17, 1995**

**Rupp Arena  
Lexington, Kentucky**

**OFFICIAL STATISTICS BOOKLET**

VISITORS (Last Name, First)

NO.	BRECKINRIDGE COUNTY	Tot FG		3-POINT		FT	FTA	Rebounds			PF	TP	A	TO	BLK	S	TIME	
		FG	FGA	FG	FGA			OFF	DEF	TOT								
34	WHITWORTH, JARED	3	5	0	0	3	4	0	2	2	4	9	5	4	2	1	28:24	
42	SILLS, JAY	6	9	0	1	2	3	2	3	5	3	14	0	2	0	0	24:27	
32	MATTINGLY, ADAM	9	9	0	0	8	12	2	4	6	3	26	5	1	1	2	28:25	
12	PAYNE, BRADLEY	1	3	0	0	0	0	0	1	1	4	2	3	0	0	1	21:23	
20	CRITCHELOW, PAT	3	8	0	2	9	13	1	7	8	1	15	6	6	6	7	28:02	
40	MATTINGLY, MATT	0	0	0	0	0	0	0	0	0	3	0	0	3	0	3	7:40	
41	WILLIAMS, CARL	4	7	0	0	2	3	4	4	8	1	10	1	2	0	0	13:20	
50	CALISI, JON	0	0	0	0	0	2	0	0	0	0	0	0	0	0	1	2:50	
10	CARBY, BRAD	1	3	1	2	0	0	1	0	1	0	3	0	0	0	0	2:29	
04	BURNETT, JEREMY	0	0	0	0	0	0	0	0	0	0	0	0	0	0	0	0:45	
11	MITCHELL, LEON	0	1	0	0	0	0	1	0	1	0	0	0	0	0	0	0:45	
30	TAUL, BRANDON	0	0	0	0	0	0	0	0	0	0	0	0	1	0	0	0:45	
51	WALKER, ANTHONY	0	1	0	0	0	0	0	0	0	0	0	0	0	0	0	0:45	
TEAM REBOUNDS (INCLUDED IN TOTALS)								5 5										
TOTALS		27	46	1	5	24	37	11	26	37	19	79	20	19	3	15	160	

Percentages: Game FG 27/46 58.7% 3-PT. 1/5 20.0% FT 24/37 64.9%

Period 1 9/13 69.2% 0/1 0.0% 4/9 44.4%

Period 2 7/10 70.0% 0/0 0.0% 6/7 85.7%

Period 3 8/14 57.1% 0/2 0.0% 2/3 66.7%

Period 4 3/9 33.3% 1/2 50.0% 12/18 66.7%

HOME (Last Name, First)

NO.	SCOTT CO.	Tot FG		3-POINT		FT	FTA	Rebounds			PF	TP	A	TO	BLK	S	TIME	
		FG	FGA	FG	FGA			OFF	DEF	TOT								
00	TALBERT, JOSH	5	7	0	0	4	5	1	3	4	5	14	0	1	0	3	23:14	
20	WOOD, JEREMY	2	11	1	7	0	0	1	1	2	1	5	1	2	0	0	29:08	
34	BERRY, SEAN	2	3	0	0	0	0	1	5	6	0	4	0	3	0	2	13:29	
10	RICHARDSON, MIKE	2	12	2	7	5	6	1	1	2	2	11	5	5	0	0	28:22	
24	JOHNSON, TONY	0	3	0	1	0	0	1	1	2	4	0	3	4	0	0	17:00	
32	WAGNER, BUDDY	0	1	0	0	2	4	2	0	2	2	2	0	0	1	0	7:29	
44	PULLIAM, BRAD	1	3	0	1	1	2	1	1	2	4	3	0	0	0	1	6:57	
14	PENN, BILLY RAY	4	9	3	7	2	4	2	2	4	3	13	0	4	0	0	15:30	
42	McMILLAN, LANCE	1	2	0	0	2	2	0	0	0	3	4	0	0	0	1	5:59	
22	CENTERS, JASON	0	0	0	0	0	0	0	1	1	0	0	0	1	0	0	3:23	
05	HUBBARD, RONNIE	0	0	0	0	0	0	0	0	0	0	0	1	3	0	1	3:50	
12	WILLHITE, JEFF	1	2	1	2	0	0	0	0	0	0	3	0	0	0	0	2:33	
52	YOUNG, MAURY	0	0	0	0	0	0	1	1	2	0	0	0	0	1	1	2:21	
30	HUTCHINS, PETER	0	0	0	0	0	0	0	0	0	0	0	0	0	0	0	0:45	
TEAM REBOUNDS (INCLUDED IN TOTALS)								3 3										
TOTALS		18	53	7	25	16	23	14	16	30	24	59	10	23	2	9	160	

Percentages: Game FG 18/53 34.0% 3-PT. 7/25 28.0% FT 16/23 69.6%

Period 1 7/14 50.0% 3/6 50.0% 1/2 50.0%

Period 2 2/10 20.0% 1/5 20.0% 3/6 50.0%

Period 3 5/17 29.4% 2/9 22.2% 7/10 70.0%

Period 4 4/12 33.3% 1/5 20.0% 5/5 100.0%

OFFICIALS: Keith Hall, Roger Cross, A-Sarge  
 Technicals: None

SCORE BY PERIODS

BRECKINRIDGE COUNTY	22	20	18	19	=	79
SCOTT CO.	18	8	19	14	=	59

Attendance: 20,645

COMMENTS: POINTS OFF TURNOVERS  
 BRECKINRIDGE COUNTY 24 SCOTT CO.

13 BRECKINRIDGE COUNTY 8 SCOTT CO.  
 SECOND CHANCE POINTS





OFFICIAL NFSHS BASKETBALL BOX SCORE: \* OFFICIAL FIRST HALF \*  
 Date: 03-17-95 Site: BOY'S SWEET 16, LEXINGTON

VISITORS (Last Name, First)

NO.	BRECKINRIDGE COUNTY	Tot FG		3-POINT		FT		Rebounds			PF	TP	A	TO	BLK	S	TIME				
		FG	FGA	FG	FGA	FT	FTA	OFF	DEF	TOT											
34	WHITWORTH, JARED	3	4	0	0	0	0	0	0	0	1	6	3	1	2	1	16:00				
42	SILLS, JAY	5	7	0	1	2	3	1	2	3	2	12	0	0	0	0	13:08				
32	MATTINGLY, ADAM	5	5	0	0	8	12	0	2	2	0	18	3	0	1	2	16:00				
12	PAYNE, BRADLEY	1	1	0	0	0	0	0	1	1	2	2	2	0	0	1	11:29				
20	CRITCHELOW, PAT	0	2	0	0	0	1	0	5	5	1	0	0	3	3	0	16:00				
40	MATTINGLY, MATT	0	0	0	0	0	0	0	0	0	1	0	0	3	0	1	2:41				
41	WILLIAMS, CARL	2	4	0	0	0	0	2	1	3	1	4	1	1	0	0	4:42				
TEAM REBOUNDS (INCLUDED IN TOTALS)								2													
TOTALS		16	23	0	1	10	16	3	13	16	8	42	12	8	3	7	80				
Percentages:		HALF		FG		16/23		69.6%		3-PT.		0/1		0.0%		FT		10/16		62.5%	
Period 1						9/13		69.2%				0/1		0.0%				4/9		44.4%	
Period 2						7/10		70.0%				0/0		0.0%				6/7		85.7%	

HOME (Last Name, First)

NO.	SCOTT CO.	Tot FG		3-POINT		FT		Rebounds			PF	TP	A	TO	BLK	S	TIME				
		FG	FGA	FG	FGA	FT	FTA	OFF	DEF	TOT											
00	TALBERT, JOSH	3	4	0	0	1	2	0	1	1	0	7	0	1	0	2	12:40				
20	WOOD, JEREMY	2	7	1	4	0	0	0	0	0	1	5	1	2	0	0	15:29				
34	BERRY, SEAN	0	0	0	0	0	0	1	4	5	0	0	0	3	0	1	8:37				
10	RICHARDSON, MIKE	1	7	1	3	2	2	0	0	0	0	5	4	3	0	0	15:26				
24	JOHNSON, TONY	0	1	0	1	0	0	0	1	1	2	0	1	2	0	0	10:00				
32	WAGNER, BUDDY	0	1	0	0	0	0	0	0	0	2	0	0	0	0	0	5:32				
44	PULLIAM, BRAD	1	1	0	0	1	2	1	0	1	3	3	0	0	0	0	2:20				
14	PENN, BILLY RAY	2	3	2	3	0	2	1	0	1	0	6	0	1	0	0	6:00				
42	McMILLAN, LANCE	0	0	0	0	0	0	0	0	0	1	0	0	0	0	1	1:30				
22	CENTERS, JASON	0	0	0	0	0	0	0	1	1	0	0	0	1	0	0	1:21				
05	HUBBARD, RONNIE	0	0	0	0	0	0	0	0	0	0	0	0	0	0	0	0:31				
TEAM REBOUNDS (INCLUDED IN TOTALS)								2													
TOTALS		9	24	4	11	4	8	5	7	12	9	26	6	13	0	4	79				
Percentages:		HALF		FG		9/24		37.5%		3-PT.		4/11		36.4%		FT		4/8		50.0%	
Period 1						7/14		50.0%				3/6		50.0%				1/2		50.0%	
Period 2						2/10		20.0%				1/5		20.0%				3/6		50.0%	

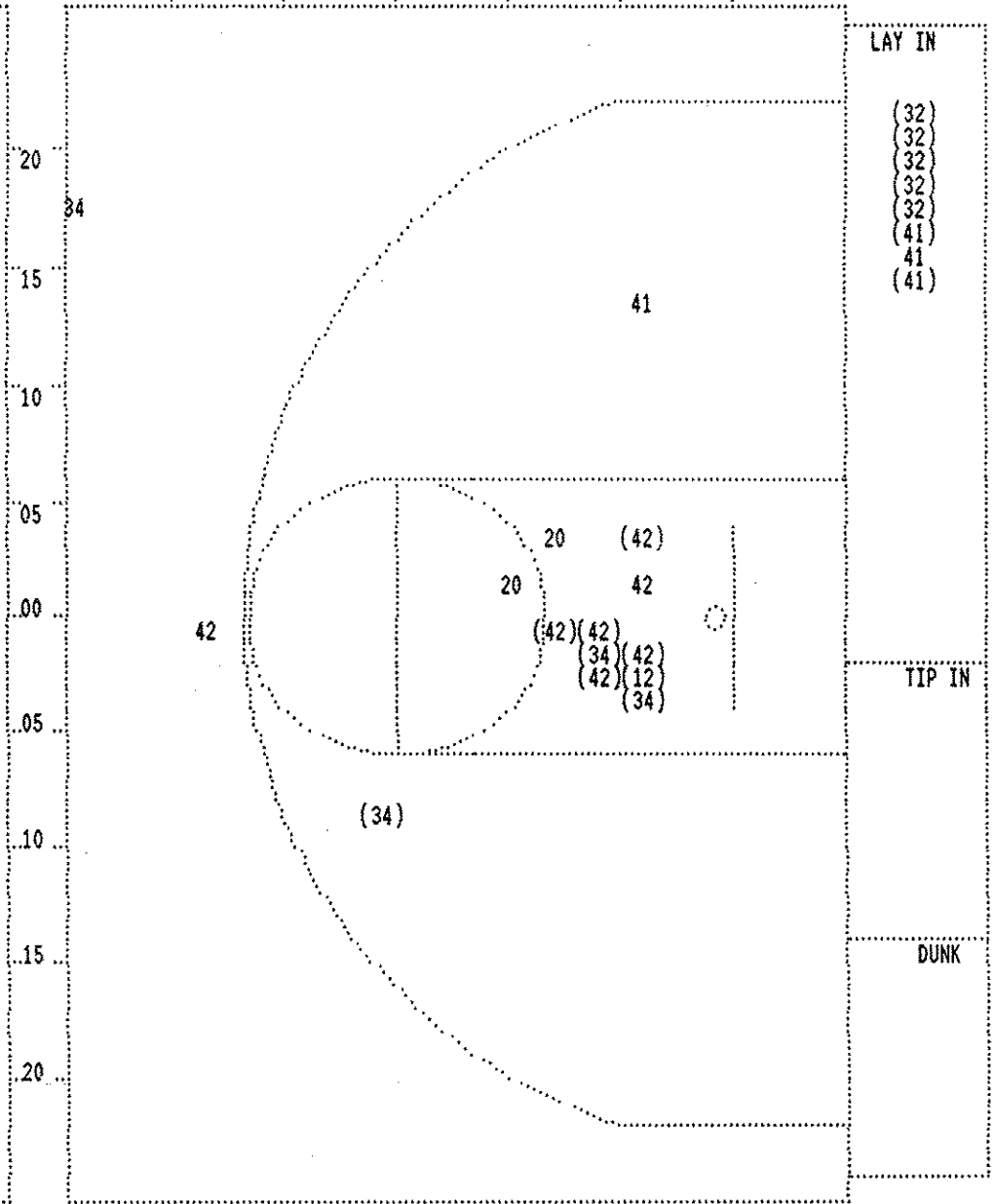
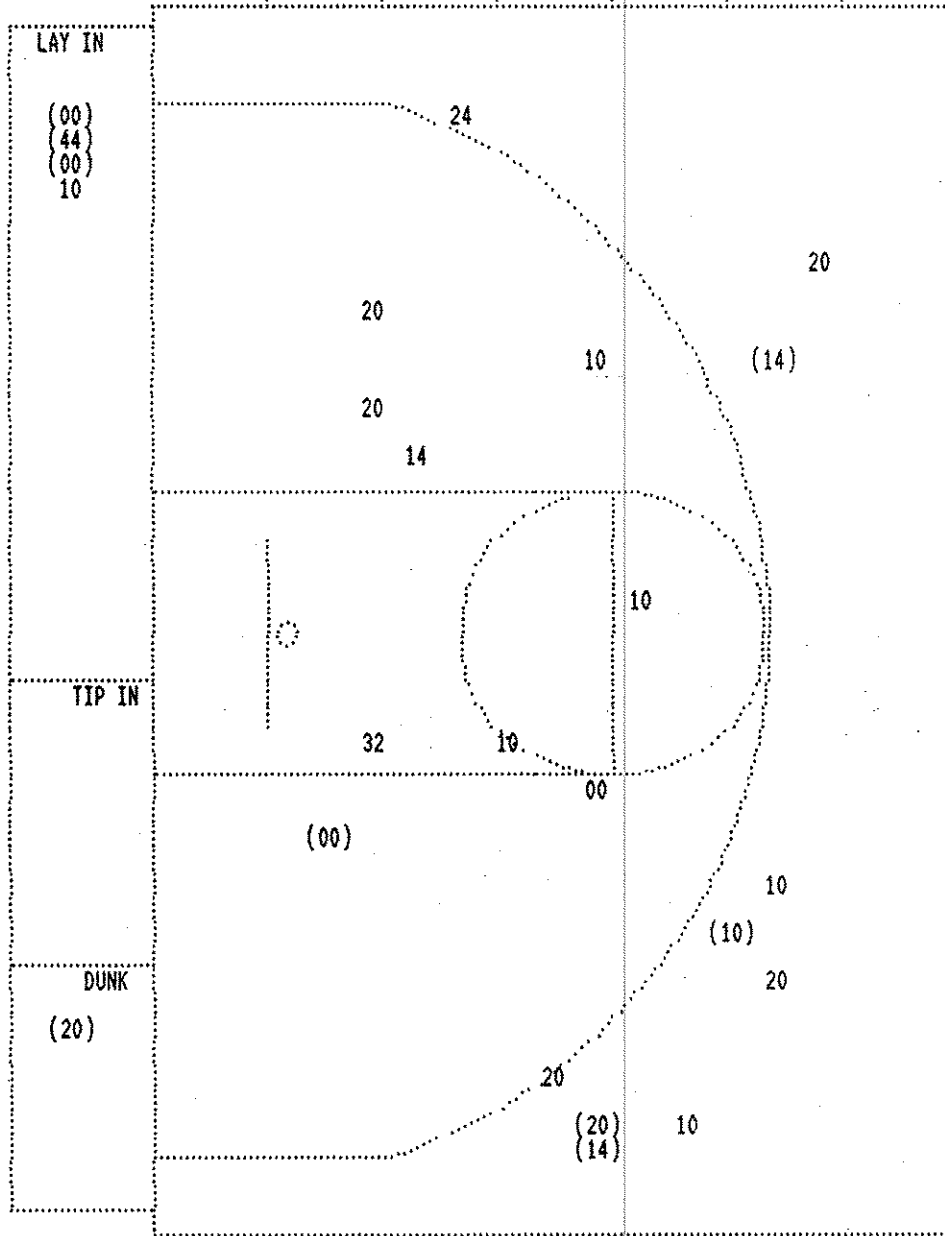
OFFICIALS: Keith Hall, Roger Cross, A-Sarge  
 Technicals: None

SCORE BY PERIODS	
BRECKINRIDGE COUNTY	22 20 = 42
SCOTT CO.	18 8 = 26

Attendance:

COMMENTS: POINTS OFF TURNOVERS  
 BRECKINRIDGE COUNTY 15 SCOTT CO.

SECOND CHANCE POINTS  
 6 BRECKINRIDGE COUNTY 4 SCOTT CO.



SCOTT CO.					
Player			Player		
00 - TALBERT, J	3/4	75.0%	32 - WAGNER, BU	0/1	0.0%
20 - WOOD, JERE	2/7	28.5%	44 - PULLIAM, B	1/1	100.0%
10 - RICHARDSON	1/7	14.2%			
24 - JOHNSON, T	0/1	0.0%			
14 - PENN, BILL	2/3	66.6%			
Layups	1-9 Ft	10-15 Ft	Over 15 Ft	3 Pointers	Total
4 / 5	1 / 3	0 / 4	0 / 1	4 / 11	9 / 24

BRECKINRIDGE COUNTY					
Player			Player		
34 - WHITWORTH,	3/4	75.0%	41 - WILLIAMS,	2/4	50.0%
42 - SILLS, JAY	5/7	71.4%			
32 - MATTINGLY,	5/5	100.0%			
12 - PAYNE, BRA	1/1	100.0%			
20 - CRITCHELOW	0/2	0.0%			
Layups	1-9 Ft	10-15 Ft	Over 15 Ft	3 Pointers	Total
7 / 8	8 / 11	0 / 1	1 / 2	0 / 1	16 / 23

Player	Team	SCOTT CO.	Time	Score	BRECKINRIDGE COUNTY	Player	Team
TALBERT, JOSH, WOOD, JEREMY, BERRY, SEAN, RICHARDSON, MIKE, JOHNSON, TONY			WHITWORTH, JARED, SILLS, JAY, MATTINGLY, ADAM, PAYNE, BRADLEY, CRITCHELOW, PAT				
1-1	100%	10-25 40.0%	3	7:52	*28-42		
2		7					
2-2	100%	11-26 42.3%	3	7:29	*30-42		
5		8					
			3	6:49	30-44* 4 ft Lane Driving by MATTINGLY, ADAM	6-6	100% 17-26 65.3%
					Assist by WHITWORTH, JARED	4	13
			3	6:25	30-46* Layup Off Fast Break by CRITCHELOW, PAT	1-3	33.3% 18-27 66.6%
					Assist by PAYNE, BRADLEY	3	14
			3	6:12	30-48* Layup Off Fast Break by CRITCHELOW, PAT	2-4	50.0% 19-28 67.8%
					Assist by WHITWORTH, JARED	5	15
			3	6:12			
					REB: 18 A: 15 BLK: 3 TO: 9 PF: 0		
					S: 9 FT: 10-16 62.5% FG: 19-28 67.8%		
					No. 1 SCOTT CO. T I M E - O U T		
			3	6:11			
3-4	75.0%	12-29 41.3%	3	6:11	*33-48		
			3	5:43	33-50* Driving Dunk by MATTINGLY, ADAM	7-7	100% 20-30 66.6%
					Assist by CRITCHELOW, PAT	4	16
			3	5:19	Foul on WHITWORTH, JARED	2	1
4-4	100%	6-10 60.0%	3	5:09	*35-50		
			3	4:53	Foul on PAYNE, BRADLEY	3	2
2-4	50.0%	8-12 66.6%	3	4:53	*37-50		
			3	4:45	Foul on MATTINGLY, ADAM	1	3
			3	4:45			
					REB: 19 A: 16 BLK: 3 TO: 11 PF: 3		
					S: 9 FT: 10-16 62.5% FG: 20-30 66.6%		
					T I M E - O U T BRECKINRIDGE COUNTY No. 1		
			3	3:58	37-52* Driving Layup by MATTINGLY, ADAM	8-8	100% 21-32 65.6%
					Assist by CRITCHELOW, PAT	5	17
			3	3:34	37-54* Layup Off Fast Break by MATTINGLY, ADAM	9-9	100% 22-33 66.6%
					Assist by CRITCHELOW, PAT	6	18
2-9	22.2%	13-33 39.3%	3	3:21	*40-54		
1		1	3	3:08			
			3	3:08			
			3	3:08	40-56* WHITWORTH, JARED, 2 Free Throws made both	2-2	100% 12-18 66.6%
			3	2:54	Foul on MATTINGLY, ADAM	2	4
1-2	50.0%	9-14 64.2%	3	2:54	*41-56		
			3	2:54			
			3	2:47	Sub In: WILLIAMS, CARL Out: WHITWORTH, JARED	3	5
			3	2:33	Player Control Foul on MATTINGLY, ADAM		
			3	2:31			
			3	2:20			
			3	1:30	Foul on PAYNE, BRADLEY	4	6
			3	1:30	Sub In: WHITWORTH, JARED Out: CRITCHELOW, PAT		
			3	1:30	Sub In: MATTINGLY, MATT Out: PAYNE, BRADLEY		
2-4	50.0%	10-16 62.5%	3	1:30	*42-56		
			3	1:11	Player Control Foul on SILLS, JAY	3	7
			3	1:11			
			3	1:01			
			3	1:01	42-58* 6 ft Lane Turnaround by WILLIAMS, CARL	3-5	60.0% 23-36 63.8%
					Assist by MATTINGLY, ADAM	4	19
			3	0:42	Foul on MATTINGLY, MATT	2	8
			3	0:41	Sub In: WHITWORTH, JARED Out: SILLS, JAY		
5-6	83.3%	11-18 61.1%	3	0:41	*43-58		

Player Team SCOTT CO.  
 -----  
 1 4 Foul on TALBERT, JOSH  
 4-8 50.0% 14-39 35.8% 12 ft Lane Jump shot by PENN, BILLY RAY  
 2 5 Foul on TALBERT, JOSH

Time Score BRECKINRIDGE COUNTY Player Team  
 -----  
 3 0:38 43-60\* Layup Off Fast Break by WILLIAMS, CARL 4-6 66.6% 24-37 64.8%  
 Assist by HATTINGLY, ADAM 5 20  
 3 0:37  
 3 0:37 WILLIAMS, CARL , 1 Free Throw missed 0-1 00.0% 12-19 63.1%  
 3 0:31 \*45-60  
 3 0:16  
 3 0:16 Sub In: SILLS, JAY Out: HATTINGLY, MATT



Player	Team	SCOTT CO.	Time	Score	BRECKINRIDGE COUNTY	Player	Team
PENN, BILLY RAY,RICHARDSON,MIKE,PULLIAM, BRAD,WOOD, JEREMY,TALBERT, JOSH					WILLIAMS, CARL ,MATTINGLY, ADAM,WHITWORTH,JARED,CRITCHELOW, PAT,SILLS, JAY Ball to FIGHTING TIGERS		
2	6	Foul on PENN, BILLY RAY Sub In: JOHNSON, TONY Out: PENN, BILLY RAY Sub In: HUBBARD, RONNIE Out: RICHARDSON,MIKE	4 7:36 4 7:36 4 7:36				
3	7	Foul on JOHNSON, TONY	4 7:36 4 7:03	45-62*	CRITCHELOW, PAT, 2 Free Throws made both	2-3	66.6% 14-21 66.6%
4	8	Foul on JOHNSON, TONY	4 7:03 4 6:54	45-63*	WHITWORTH,JARED, 2 Free Throws missed 1st made 2nd	3-4	75.0% 15-23 65.2%
4-6	66.6% 15-43 34.8%	Layup Off Fast Break by TALBERT, JOSH Assist by HUBBARD, RONNIE	4 6:54 4 6:54 4 6:54	45-65*	CRITCHELOW, PAT, 2 Free Throws made both Sub In: MATTINGLY, MATT Out: MATTINGLY, ADAM Sub In: CALISI, JON Out: WILLIAMS, CARL	4-5	80.0% 17-25 68.0%
1	9	Foul on TALBERT, JOSH	4 6:49	*47-65			
3	9	Foul on TALBERT, JOSH	4 6:37 4 6:37	47-67*	CRITCHELOW, PAT, 1 & Bonus made both	6-7	85.7% 19-27 70.3%
4	10	Foul on PULLIAM, BRAD Sub In: RICHARDSON,MIKE Out: HUBBARD, RONNIE Sub In: PENN, BILLY RAY Out: JOHNSON, TONY Sub In: CENTERS, JASON Out: PULLIAM, BRAD	4 6:31 4 6:31 4 6:31 4 6:31				
4	11	Foul on TALBERT, JOSH	4 6:31 4 6:23 4 6:23 4 6:23 4 5:58	47-68*	CRITCHELOW, PAT, 2 Free Throws made 1st missed 2nd Sub In: PAYNE, BRADLEY Out: CRITCHELOW, PAT CALISI, JON, 2 Free Throws missed both Sub In: MATTINGLY, ADAM Out: CALISI, JON	7-9	77.7% 20-29 68.9%
		REB: 24 A: 9 BLK: 1 TO: 21 PF: 11 S: 7 FT: 11-18 61.1% FG: 15-43 34.8%	4 5:23		BRECKINRIDGE COUNTY No. 2		REB: 29 A: 20 BLK: 3 TO: 15 PF: 8 S: 13 FT: 20-31 64.5% FG: 24-38 63.1%
5-7	71.4% 16-45 35.5%	Follow Rebound by TALBERT, JOSH Sub In: McMILLAN, LANCE Out: CENTERS, JASON	4 5:23 4 5:23 4 4:29 4 4:29	*49-68	Sub In: WILLIAMS, CARL Out: SILLS, JAY Sub In: CRITCHELOW, PAT Out: MATTINGLY, MATT Foul on WHITWORTH,JARED	3	9
2-3	66.6% 12-19 63.1%	TALBERT, JOSH, 1 Free Throw made	4 4:29 4 4:29	*50-68	Foul on WHITWORTH,JARED	4	10
4-5	80.0% 14-21 66.6%	TALBERT, JOSH, 2 Free Throws made both Foul on TALBERT, JOSH Sub In: JOHNSON, TONY Out: TALBERT, JOSH	4 3:37 4 3:36 4 3:36 4 3:30 4 3:29	*52-68	Sub In: SILLS, JAY Out: WHITWORTH,JARED		
3	13	Foul on PENN, BILLY RAY Sub In: HUBBARD, RONNIE Out: PENN, BILLY RAY	4 3:29 4 3:00 4 2:59 4 2:59	52-70* 52-72*	CRITCHELOW, PAT, 1 & Bonus made both Jump shot Layup by CRITCHELOW, PAT	9-11 3-8	81.8% 22-33 66.6% 37.5% 25-40 62.5%
2	14	Foul on McMILLAN, LANCE Sub In: WILLHITE, JEFF Out: RICHARDSON,MIKE	4 2:59 4 2:59 4 2:59 4 2:56 4 2:39 4 2:33 4 2:33	52-74*	Sub In: MATTINGLY, MATT Out: PAYNE, BRADLEY CRITCHELOW, PAT, 1 Free Throw missed Follow Rebound by SILLS, JAY Sub In: CALISI, JON Out: MATTINGLY, ADAM	9-12 6-9	75.0% 22-34 64.7% 66.6% 26-41 63.4%
3	15	Foul on McMILLAN, LANCE Sub In: YOUNG, MAURY Out: WOOD, JEREMY	4 2:33 4 2:33 4 2:29 4 2:29 4 2:21 4 2:21 4 2:21 4 1:01		CRITCHELOW, PAT, 1 & Bonus missed 1st Sub In: WHITWORTH,JARED Out: CRITCHELOW, PAT Sub In: CARBY, BRAD Out: SILLS, JAY	9-13	69.2% 22-35 62.8%
			4 2:21 4 2:21	52-76* 52-79*	WILLIAMS, CARL , 1 & Bonus made both 3 pt 22 ft Right Angle Jump shot by CARBY, BRAD	2-3 1-3	66.6% 24-37 64.8% 33.3% 27-44 61.3%

Player Team SCOTT CO.

Time Score

BRECKINRIDGE COUNTY

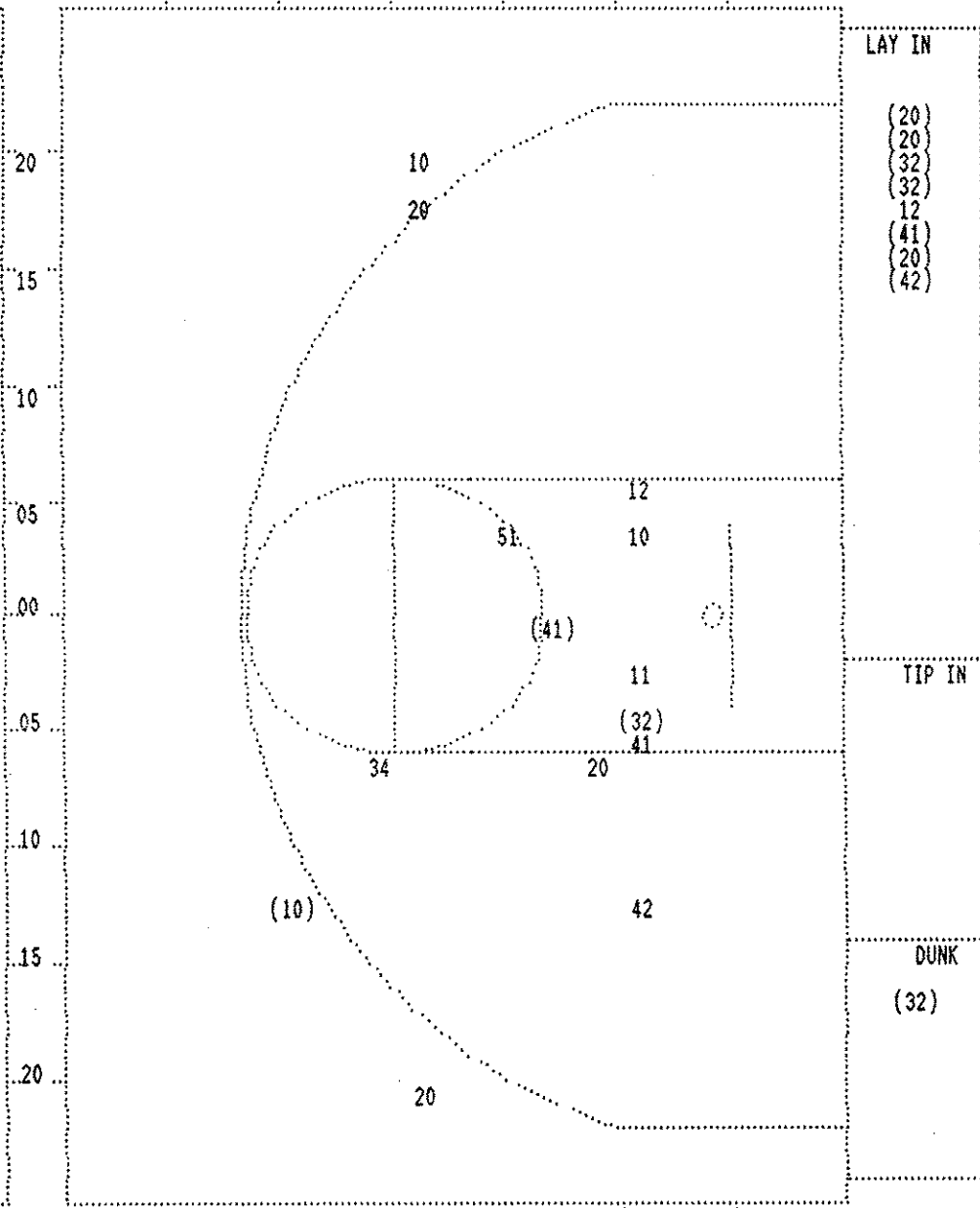
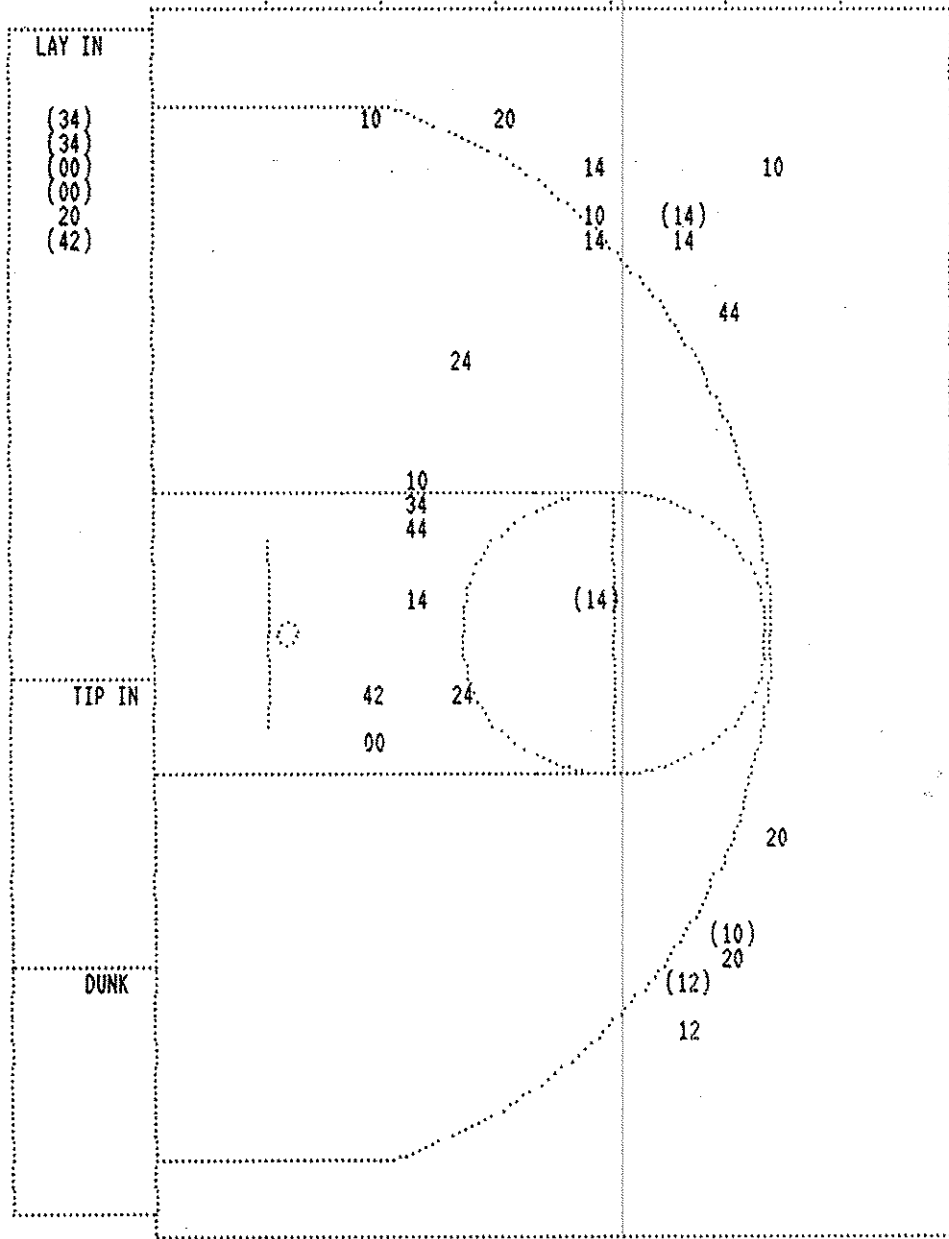
Player Team

2-2 100% 16-23 69.5% Sub In: HUTCHINS, PETE Out: HUBBARD, RONNIE  
 1-2 50.0% 17-51 33.3% McMILLAN, LANCE, 2 Free Throws made both  
 3 10 Layup Off Fast Break by McMILLAN, LANCE  
 Assist by JOHNSON, TONY  
 1-2 50.0% 18-53 33.9% 3 pt 21 ft Left Angle Jump shot by WILLHITE, JEFF

4 0:45  
 4 0:45 \*54-79  
 4 0:26 \*56-79  
 4 0:04 \*59-79

Foul on MATTINGLY, MATT  
 Subs In: BURNETT, JEREMY, MITCHELL, LEON., TAUL, BRANDON,  
 WALKER, ANTHONY  
 Out: WHITWORTH, JARED, MATTINGLY, MATT, WILLIAMS, CARL,  
 CALISI, JON

3 11



SCOTT CO.				
Player		Player		Player
00 - TALBERT, J	2 / 3 66.6%	12 - WILLHITE,	1 / 2 50.0%	
20 - WOOD, JERE	0 / 4 0.0%	14 - PENN, BILL	2 / 6 33.3%	
34 - BERRY, SEA	2 / 3 66.6%	42 - McMILLAN,	1 / 2 50.0%	
10 - RICHARDSON	1 / 5 20.0%	44 - PULLIAM, B	0 / 2 0.0%	
24 - JOHNSON, T	0 / 2 0.0%			
Layups	1-9 Ft	10-15 Ft	Over 15 Ft	3 Pointers Total
5 / 6	0 / 7	1 / 2		3 / 14 9 / 29

BRECKINRIDGE COUNTY				
Player		Player		Player
34 - WHITWORTH,	0 / 1 0.0%	10 - CARBY, BRA	1 / 3 33.3%	
42 - SILLS, JAY	1 / 2 50.0%	11 - MITCHELL,	0 / 1 0.0%	
32 - MATTINGLY,	4 / 4 100.0%	41 - WILLIAMS,	2 / 3 66.6%	
12 - PAYNE, BRA	0 / 2 0.0%	51 - WALKER, AN	0 / 1 0.0%	
20 - CRITCHELOW	3 / 6 50.0%			
Layups	1-9 Ft	10-15 Ft	Over 15 Ft	3 Pointers Total
8 / 9	2 / 8	0 / 2		1 / 4 11 / 23